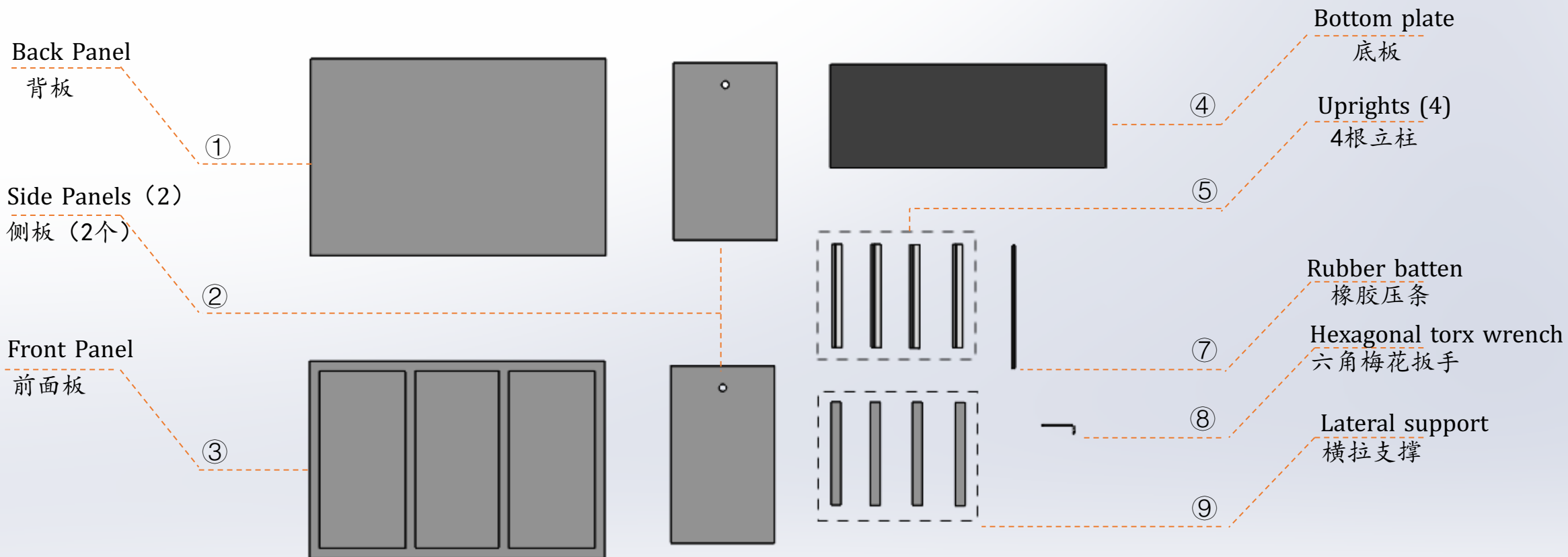


VIV Aluminum Alloy Cabinet Packing List



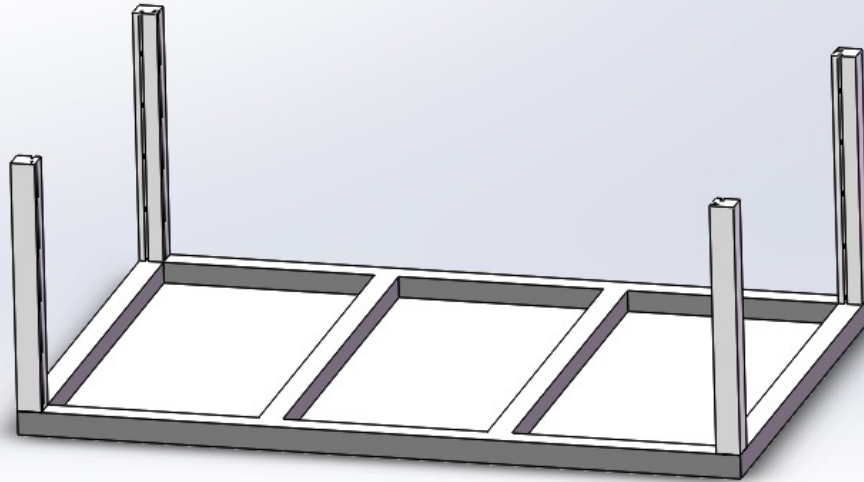
* Quantity of ⑨

Cabinet length (cm)	QTY
60	2(1 on top, 1 on bottom)
90	3(1 on top, 2 on bottom)
120	4(2 on top, 2 on bottom)
150	5(2 on top, 3 on bottom)

Installation

Setp 7-1

- Lay the back panel ① flat on the ground; (please put cardboard or other protective layers underneath to prevent scratching the panel)
- Use hex wrench ⑧ to install 4 upright posts ⑤; (the flat and smooth surface faces the outside)

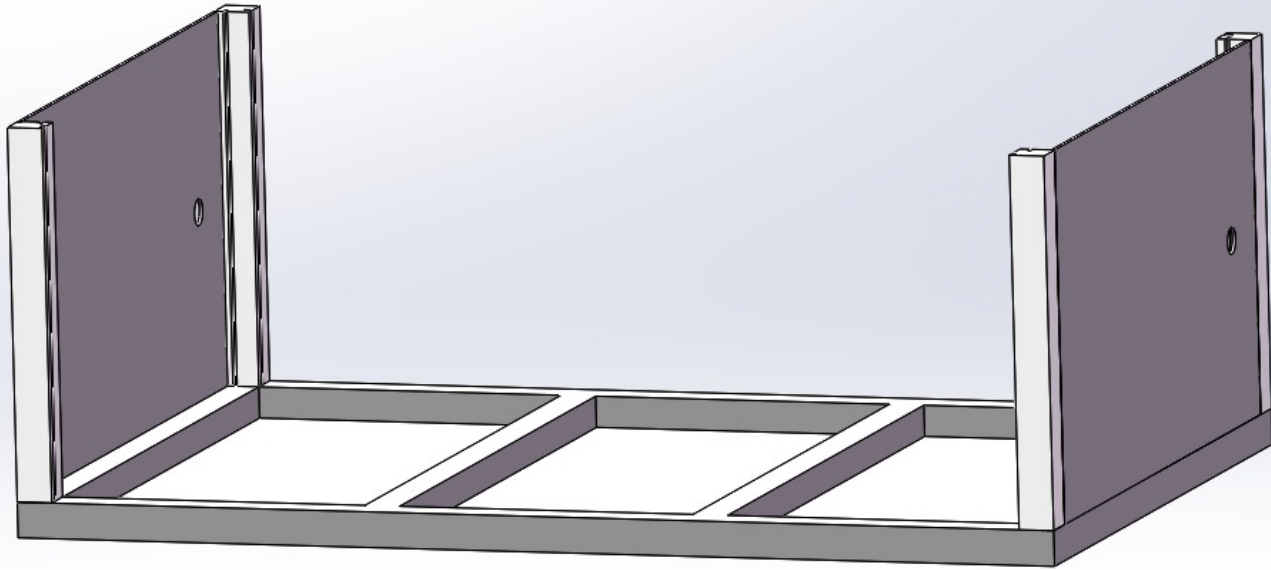


- 将背板①平铺到地面上；（请垫上纸板或其它保护层，防止划伤面板）
- 用六角扳手⑧安装4个立柱⑤；（平整光滑的面朝向外侧）

Installation

Setp 7-2

- Install the left and right side panels ② (please pay attention to the direction of the opening)

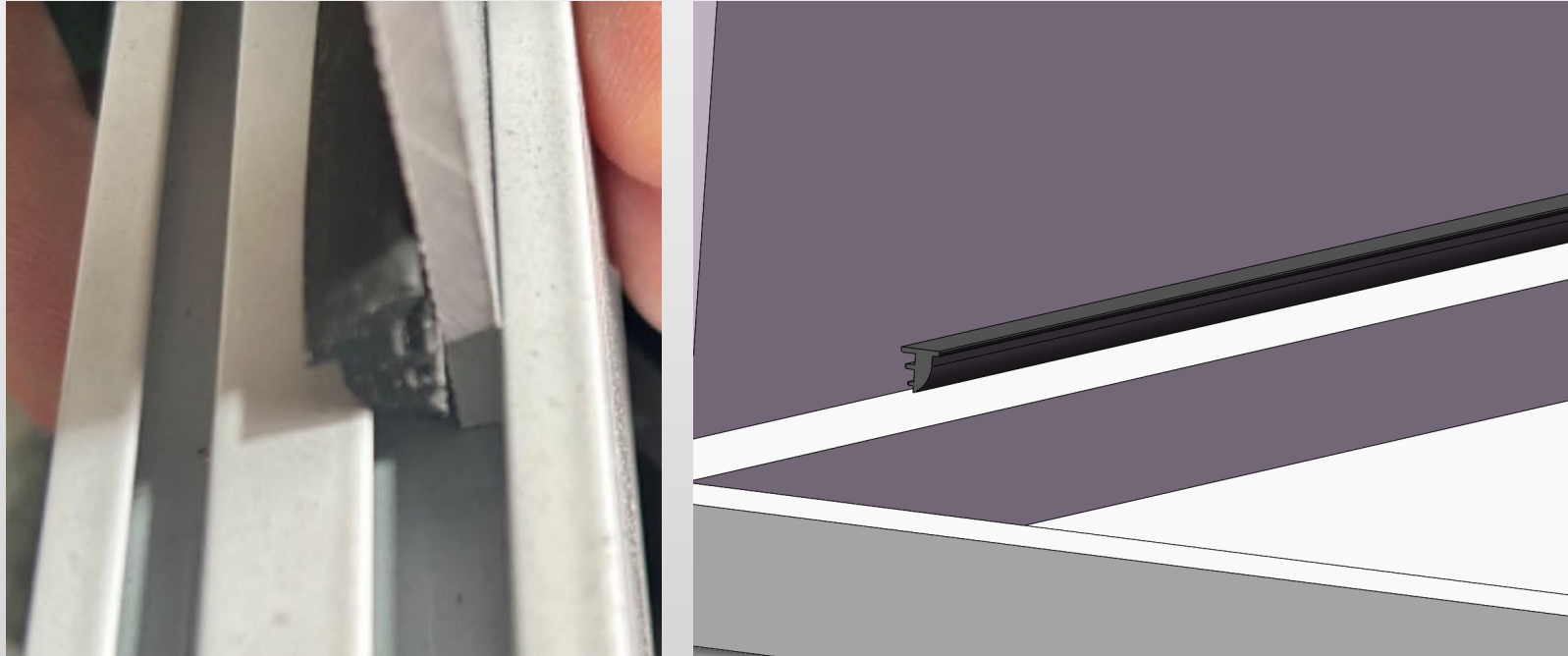


- 安装左右两个侧板②（请注意开孔的方向）

Installation

Setp 7-3

- Press the Rubber batten ⑦ on the inside of the side panel to fix the side panel;

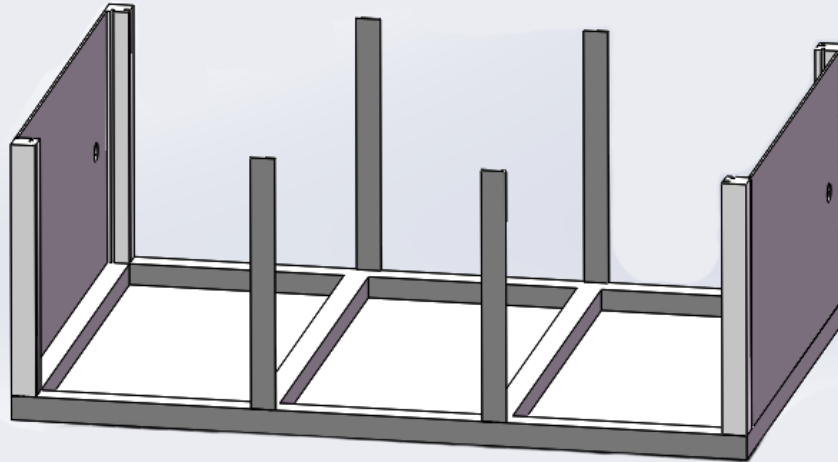


- 在侧板内侧压入橡胶压条⑦，固定侧板；

Installation

Setp 7-4

- Install the Lateral support ⑨ (use Hexagonal torx wrench ⑧ to fix)

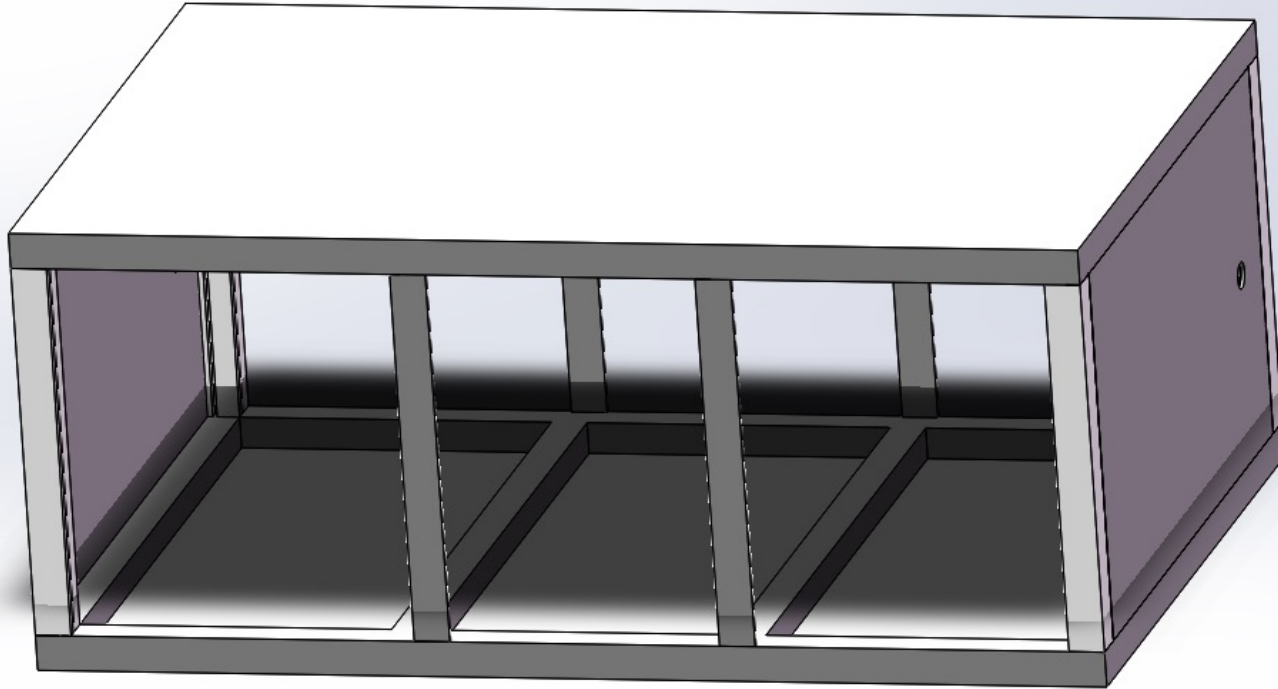


- 安装横拉支撑⑨（使用六角梅花扳手⑧固定）

Installation

Setp 7-5

- Install the Front Panel ③ and fix it with Hexagonal torx wrench ⑧;

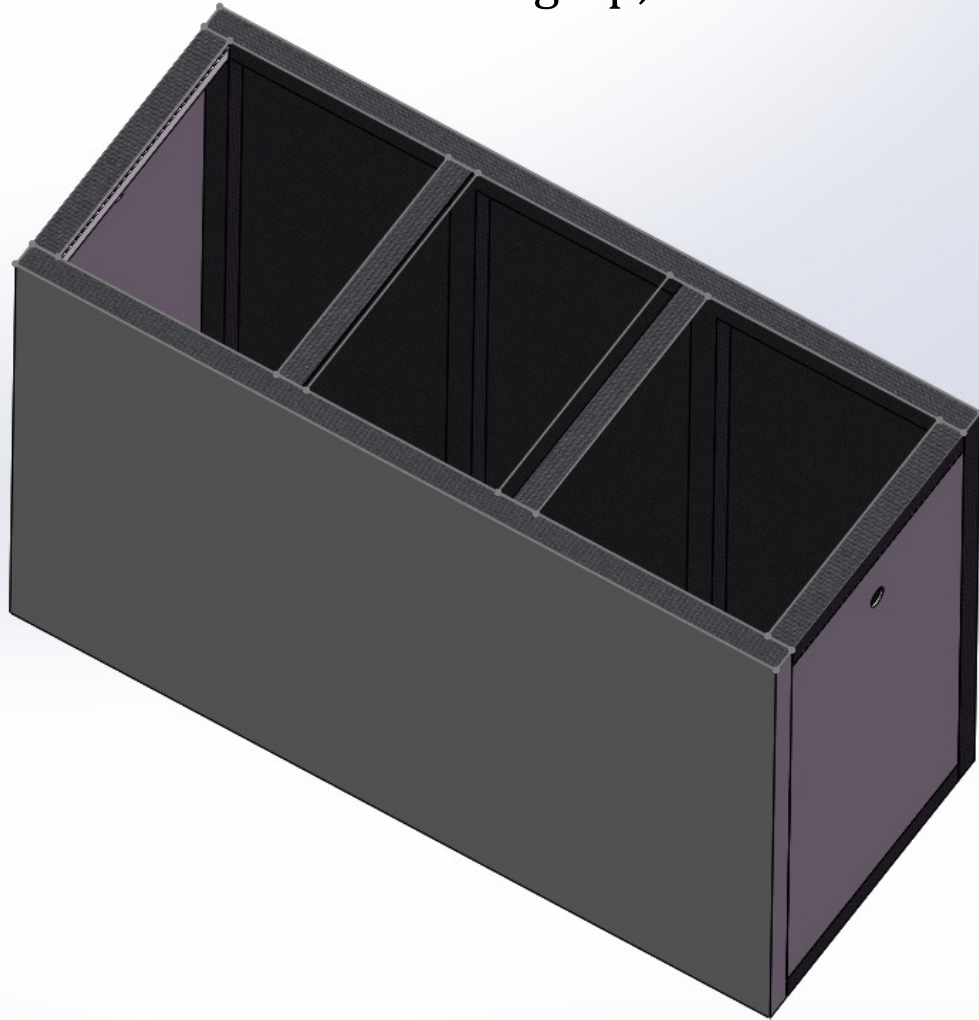


- 安裝前面板③，使用六角梅花扳手⑧固定；

Installation

Setp 7-6

- Stand the cabinet up with the fish tank cushion side facing up;

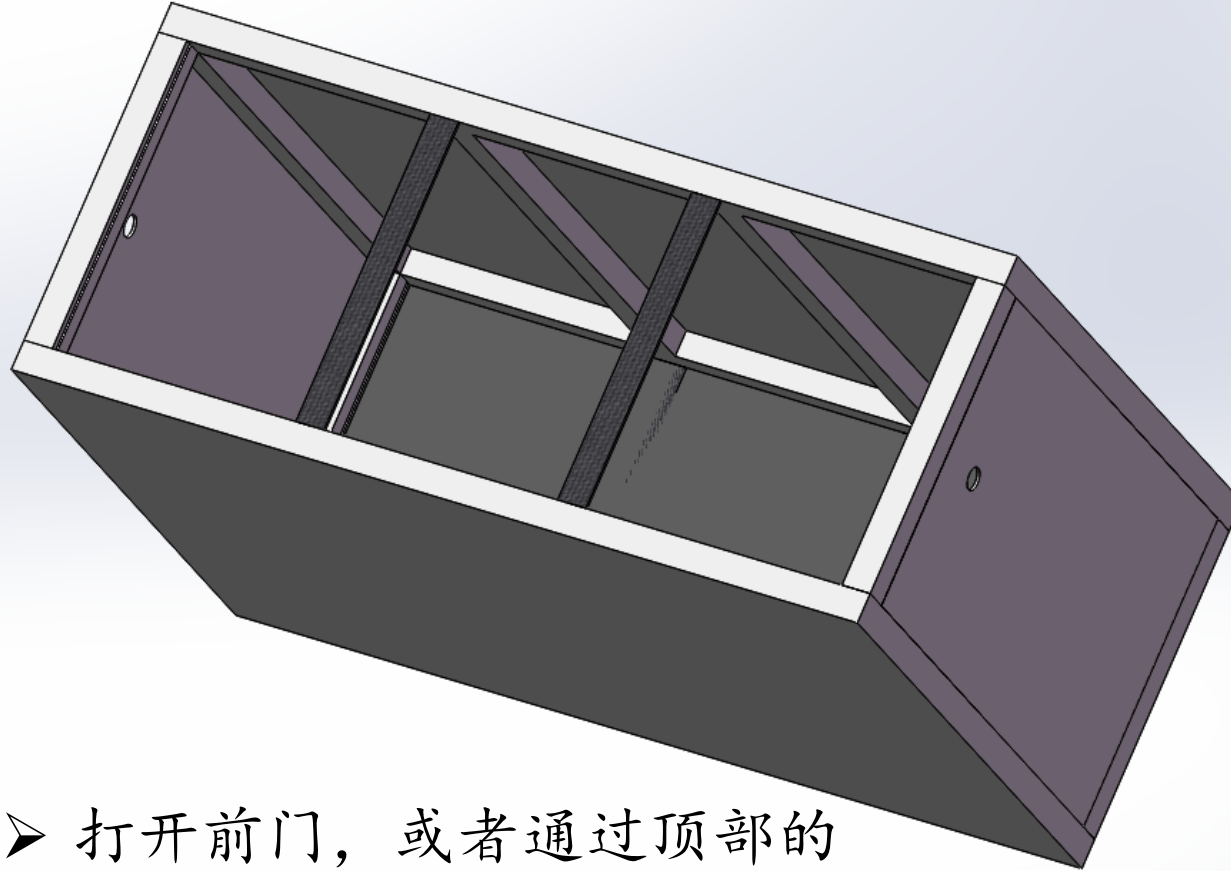


- 将柜子立起来，带有缓冲垫的面向上；

Installation

Setp 7-7

- Open the front door, or pass the top space and lay the Bottom plate ④ inside;



- 打开前门，或者通过顶部的空间，将底板④平铺在里面；