

Shark MINI SKIM

SURFACE SKIMMER

Designed
Produced
in Italy



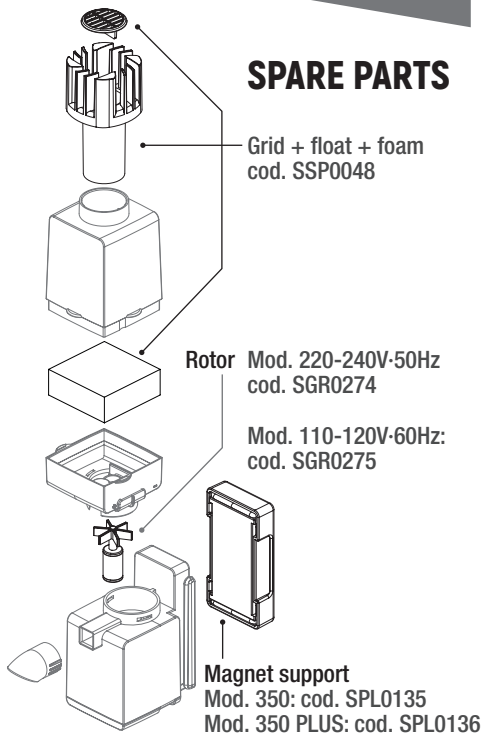
Shark MINI SKIM effectively filters surface water, quickly and accurately freeing it from floating objects such as plant debris, dust and those annoying molds that can cause a reduction in the necessary air exchange essential to keeping the ecosystem healthy of the aquarium.

Shark MINI SKIM		350	350 PLUS
Watt	220 - 240 V · 50 Hz	W	4
	110 - 120 V · 60 Hz		6
Max flow rate	l/h	350	
	US gph	90	
For glass thickness		up to 6 mm (0.25")	up to 12 mm (0.5")
For aquarium*	L	up to 150	up to 350
	US gal	up to 40	up to 90
Cable length		2,2 m · 7.55 ft	

*Volumes rated for lightly to moderately stocked freshwater aquarium.



FOCUS ON



Multidirectional flow deflector included



350

Magnetic glass holder up to 6 mm / 0.25"

MCS
MAGNET
CONNECTING SYSTEM



350 PLUS

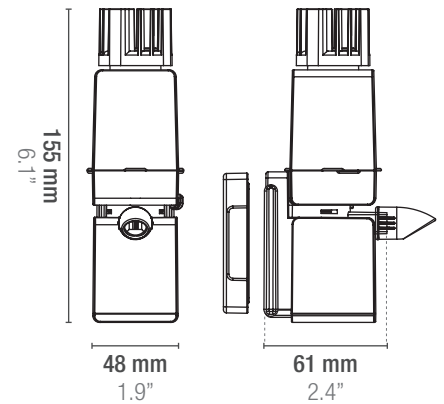
Magnetic glass holder up to 12 mm / 0.5"

LOOK AT

The discreet, compact and modern design of Shark MINI SKIM makes it visually integrate into the background.



Mechanical filtration with 30 ppi foams.

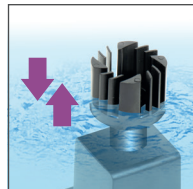


APPLICATIONS

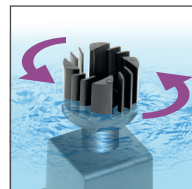


FRESH & MARINE
AQUARIUM

Skimmer float with 30 mm (1.2") excursion to adapt to the water level.



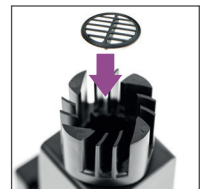
Unique rotating system for optimal surface skimming.



Water flow regulation.



Protection grid to prevent small fish from entering the inlet.



95 x 80 x h 190 mm + (40) mm
3.7 x 3.1 x h 7.5" + (1.6")